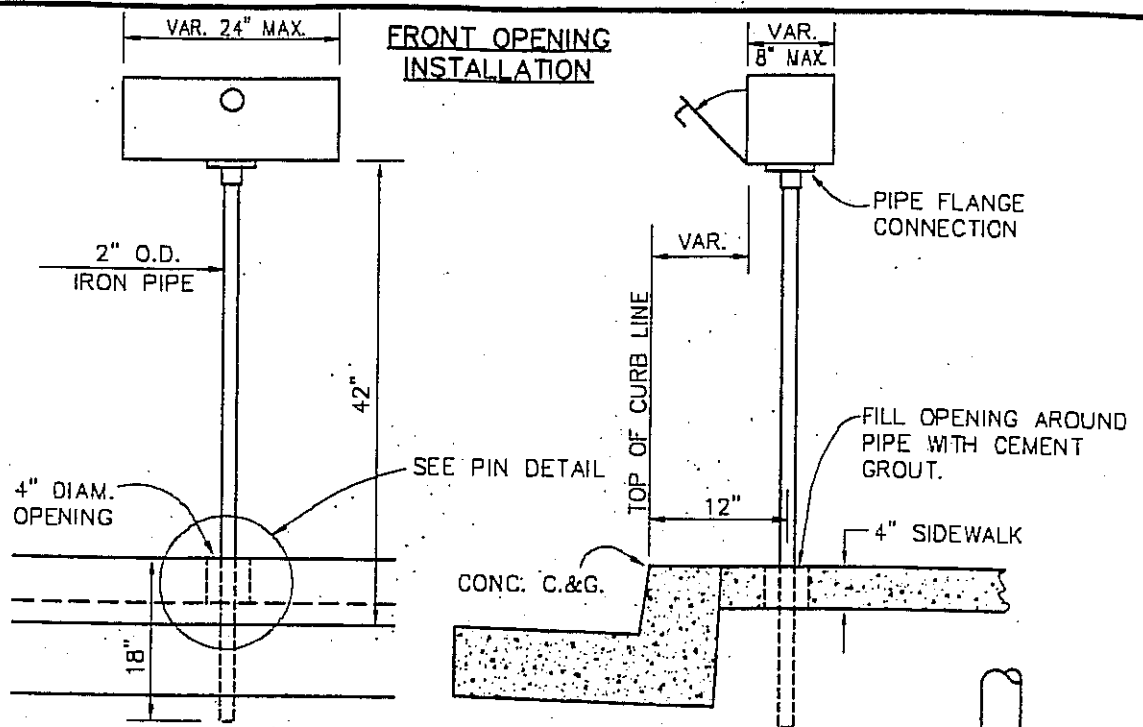
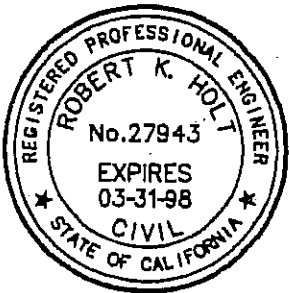
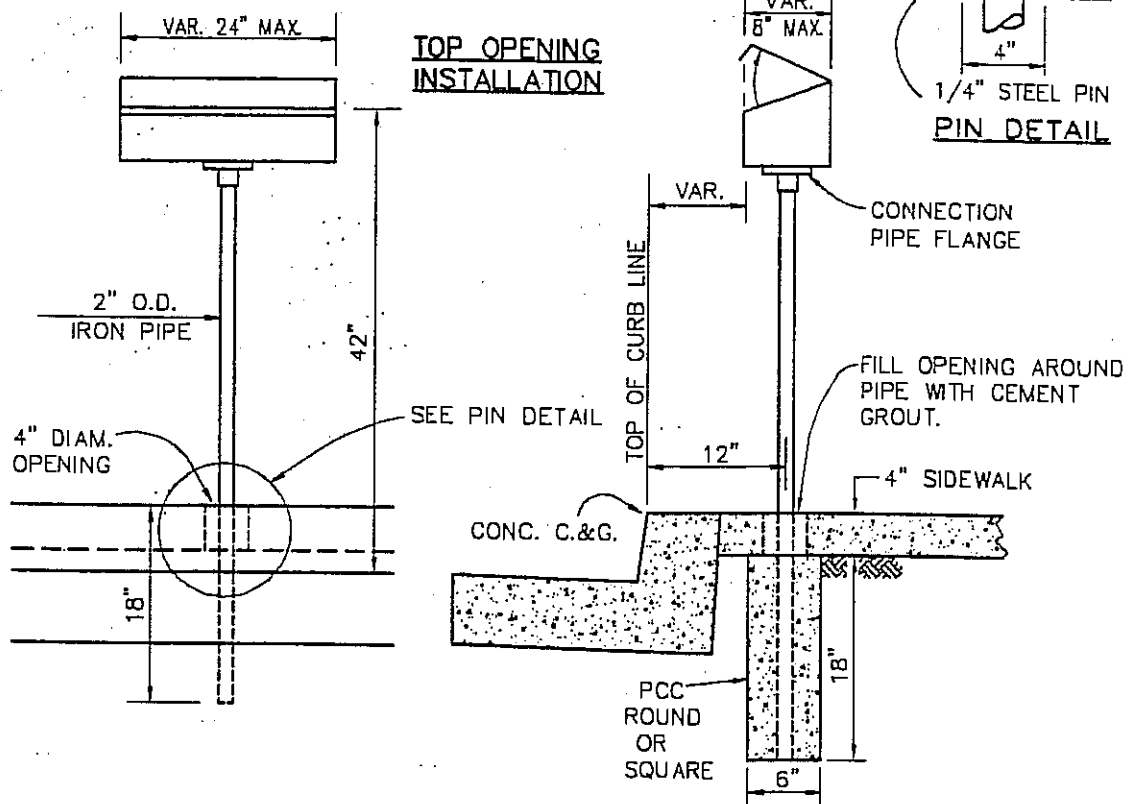


Section 5 – Miscellaneous Details

<u>Drawing No.</u>	<u>Description</u>
500	Single Mailbox Installation
501	Multiple Mailbox Installation for New Sidewalk
501A	Multiple Mailbox Installation for Existing Sidewalk
510	Metal Beam Guardrail
511	Metal Plate Guardrail
520	Traffic Safety Markers
521	Post with Reflector
522	End of Street Temporary Pavement
522A	Barricade Rural Area
523	Street Marker Post Installation
530	Standard Trash Enclosure
550	Pipe Swing Gate
M1	Copperweld Monument
M2	Sectional Monuments
M3	Centerline Ties



NOTE: END OPENING MAILBOX NOT PERMITTED. FACE OF MAILBOX SHALL NOT EXTEND PAST TOP OF CURB LINE.



APPROVED: _____ DATE _____

APPROVED: TOWN ENGINEER
Robert K. Holt
 R.C.E. 27943

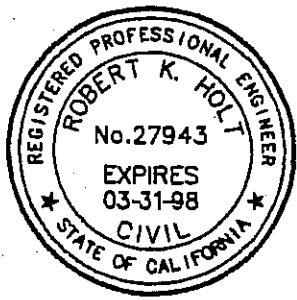
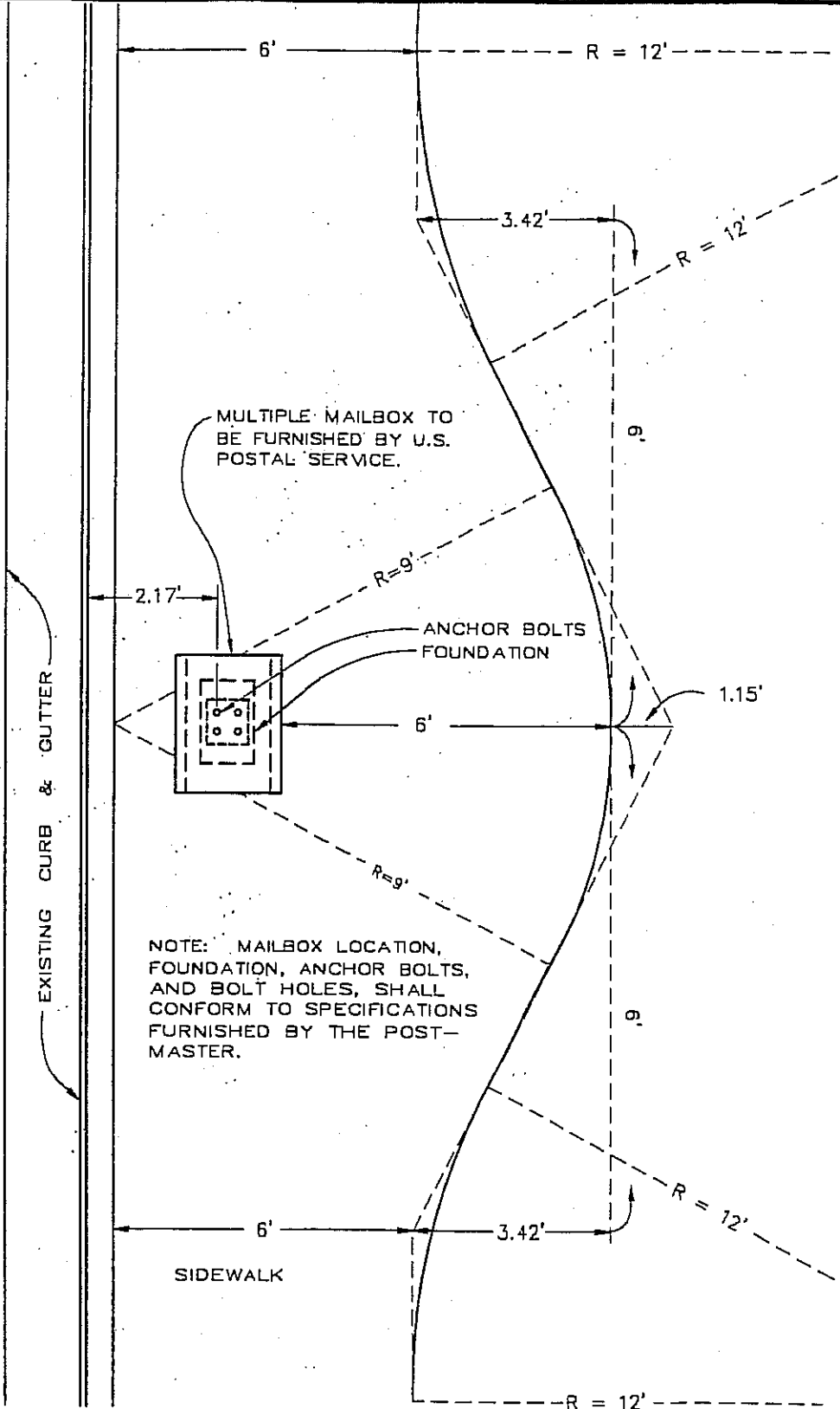


Town of
Yucca Valley

SINGLE MAILBOX
 INSTALLATION

REVISION BY DATE

STANDARD DRAWING NO. 500



APPROVED: _____ DATE _____

APPROVED: TOWN ENGINEER
Robert K. Holt R.C.E. 27943

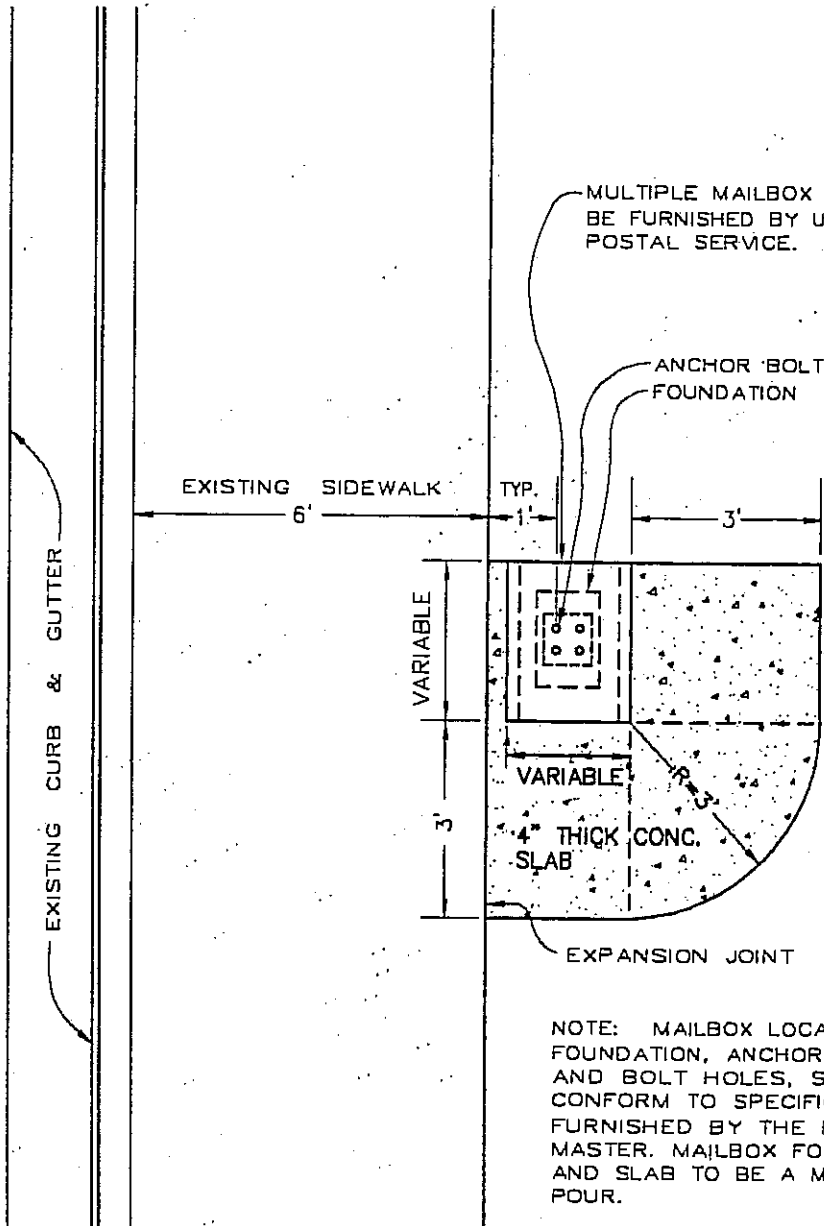
REVISION	BY	DATE



Town of
Yucca Valley

MULTIPLE MAILBOX INSTALLATION
 FOR
 NEW SIDEWALK

STANDARD DRAWING NO. 501



MULTIPLE MAILBOX TO BE FURNISHED BY U.S. POSTAL SERVICE.

ANCHOR BOLTS FOUNDATION

EXISTING SIDEWALK TYP. 6' 1'

EXISTING CURB & GUTTER

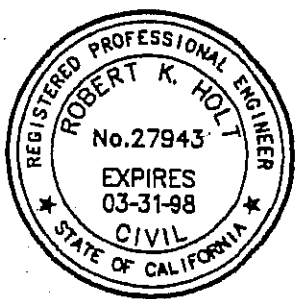
VARIABLE

VARIABLE

4" THICK CONC. SLAB

EXPANSION JOINT

NOTE: MAILBOX LOCATION, FOUNDATION, ANCHOR BOLTS, AND BOLT HOLES, SHALL CONFORM TO SPECIFICATIONS FURNISHED BY THE POSTMASTER. MAILBOX FOUNDATION AND SLAB TO BE A MONOLITHIC POUR.



APPROVED: _____ DATE _____

APPROVED: TOWN ENGINEER
Robert K. Holt
 R.C.E. 27943

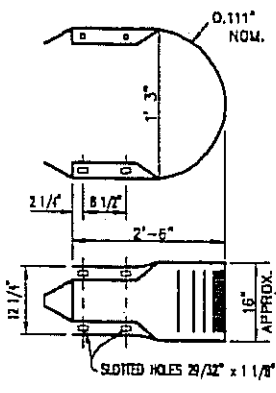


Town of
Yucca Valley

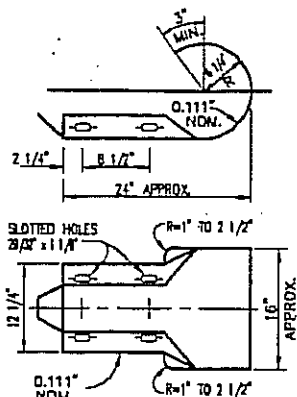
MULTIPLE MAILBOX INSTALLATION
 FOR
 EXISTING SIDEWALK

REVISION	BY	DATE

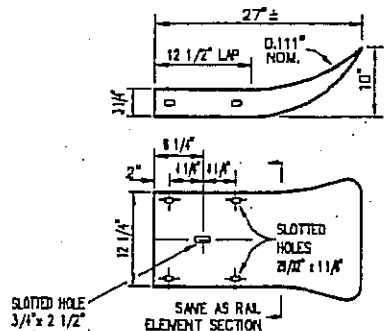
STANDARD DRAWING NO. 501A



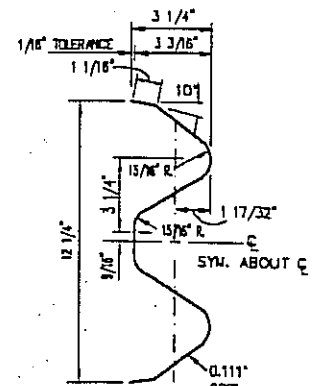
RETURN SECTION



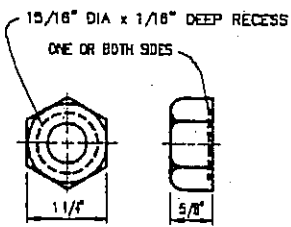
TERMINAL SECTION TYPE "A"



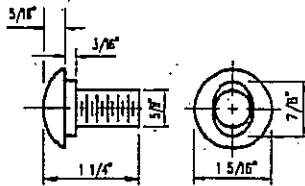
TERMINAL SECTION TYPE "B"



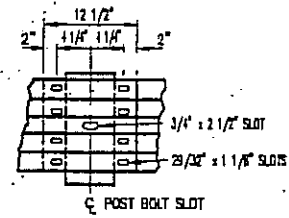
SECTION THRU RAIL ELEMENT



5/8" RECESS NUT

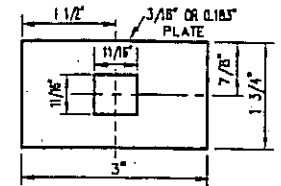


5/8" BUTTON HEAD BOLT

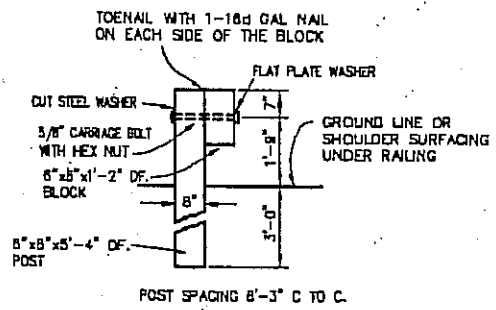


5/8" x 1 1/4" BUTTON HEAD OVAL SHOULDER BOLTS WITH 1/4" RECESSED HEX NUTS TOTAL 8 PER SPLICE AND 4 PER TERMINAL SECTION. LAP IN DIRECTION OF TRAFFIC.

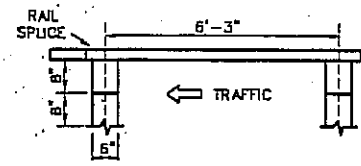
RAIL SPLICE



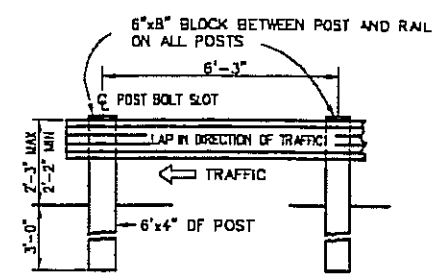
FLAT PLATE WASHER



LINE POSTS



PLAN



ELEVATION

NOTES:

- 1 CENTER TO CENTER OF THE POSTS SHALL BE 6'-3" UNLESS SHOWN OTHERWISE.
- 2 BACKFILL IN POST HOLES TO BE COMPACTED TO ORIGINAL DENSITY OF SOIL.
- 3 EQUIVALENT DESIGN MAY BE ACCEPTABLE.
- 4 MATERIALS AND CONSTRUCTION SHALL CONFORM TO STATE OF CALIFORNIA, STANDARD SPECIFICATION PLAN A77-CW.



APPROVED:	DATE
APPROVED: TOWN ENGINEER <i>Robert K. Holt</i>	R.C.E. 27943
REVISION	BY DATE

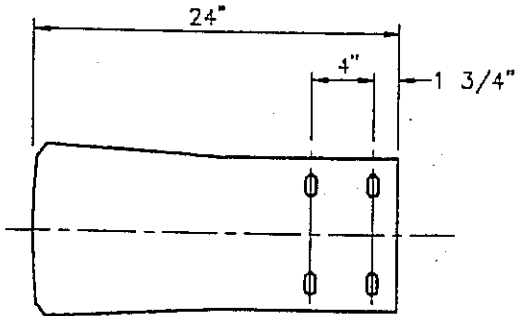
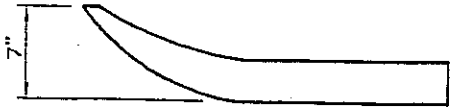
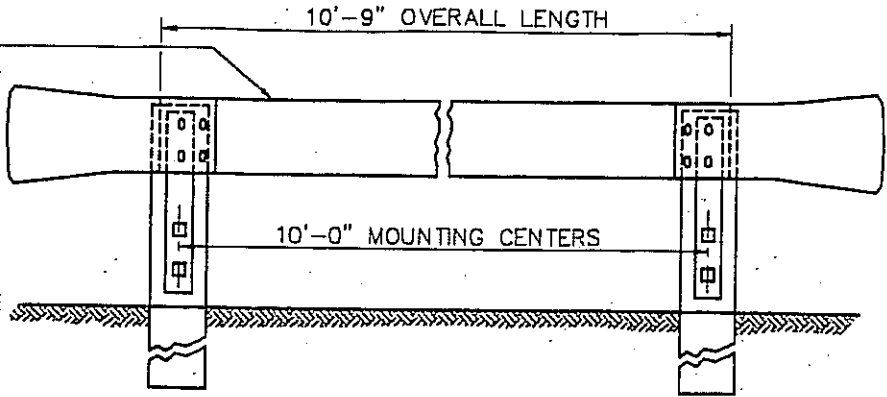


Town of Yucca Valley

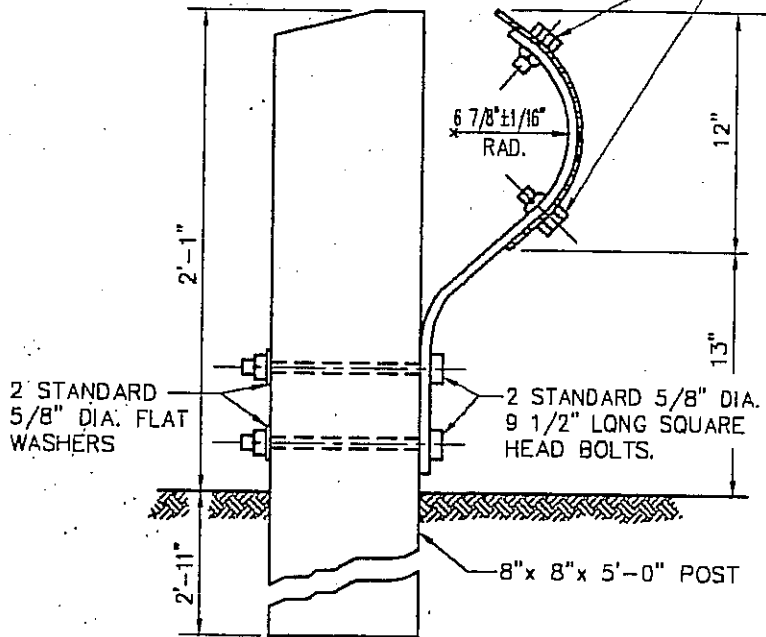
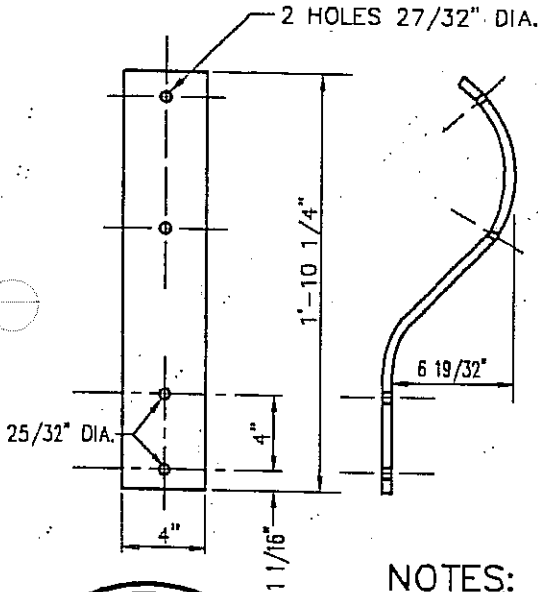
METAL BEAM
GUARDRAIL

STANDARD DRAWING NO. 510

SIZE: 10 GAGE (.1345)
 12" x 129" OR 159"
 129" = 73.4 LBS.
 159" = 90.7 LBS.

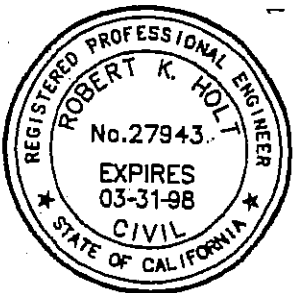


4-SPECIAL 3/4" DIA. 1 5/8" LONG
 BUTTON HEXAGONAL HEAD
 BOLTS AND SQUARE NUTS



NOTES:

1. POSTS ARE TO BE SET IN SUCH A POSITION THAT THE TOP OF THE GUARD RAIL SHALL BE LEVEL WITH THE TOP OF THE POSTS.
2. BACKFILL IN POST HOLES TO BE COMPACTED TO ORIGINAL DENSITY OF SOIL.
3. EQUIVALENT DESIGN MAY BE ACCEPTABLE.
4. MATERIAL AND CONSTRUCTION SHALL CONFORM TO APPLICABLE SECTIONS OF STATE OF CALIFORNIA STANDARD SPECIFICATIONS, UNLESS SHOWN OTHERWISE.



APPROVED:

DATE

APPROVED: TOWN ENGINEER

Robert K. Holt

R.C.E. 27943



Town of
Yucca Valley

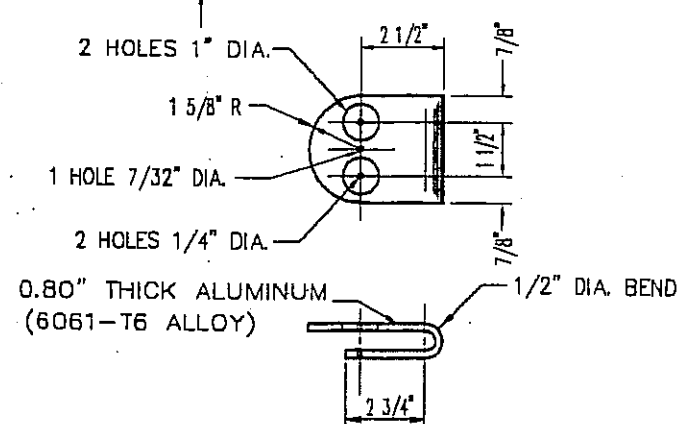
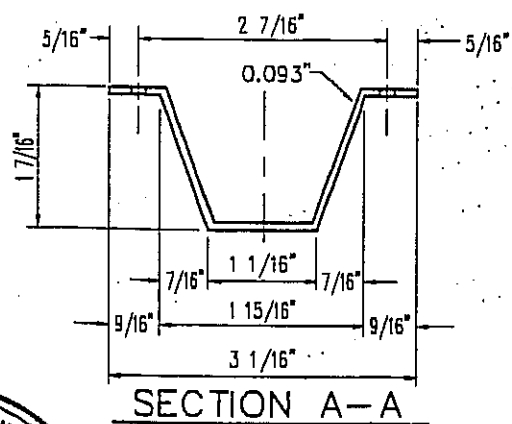
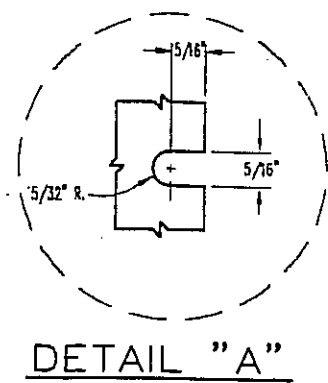
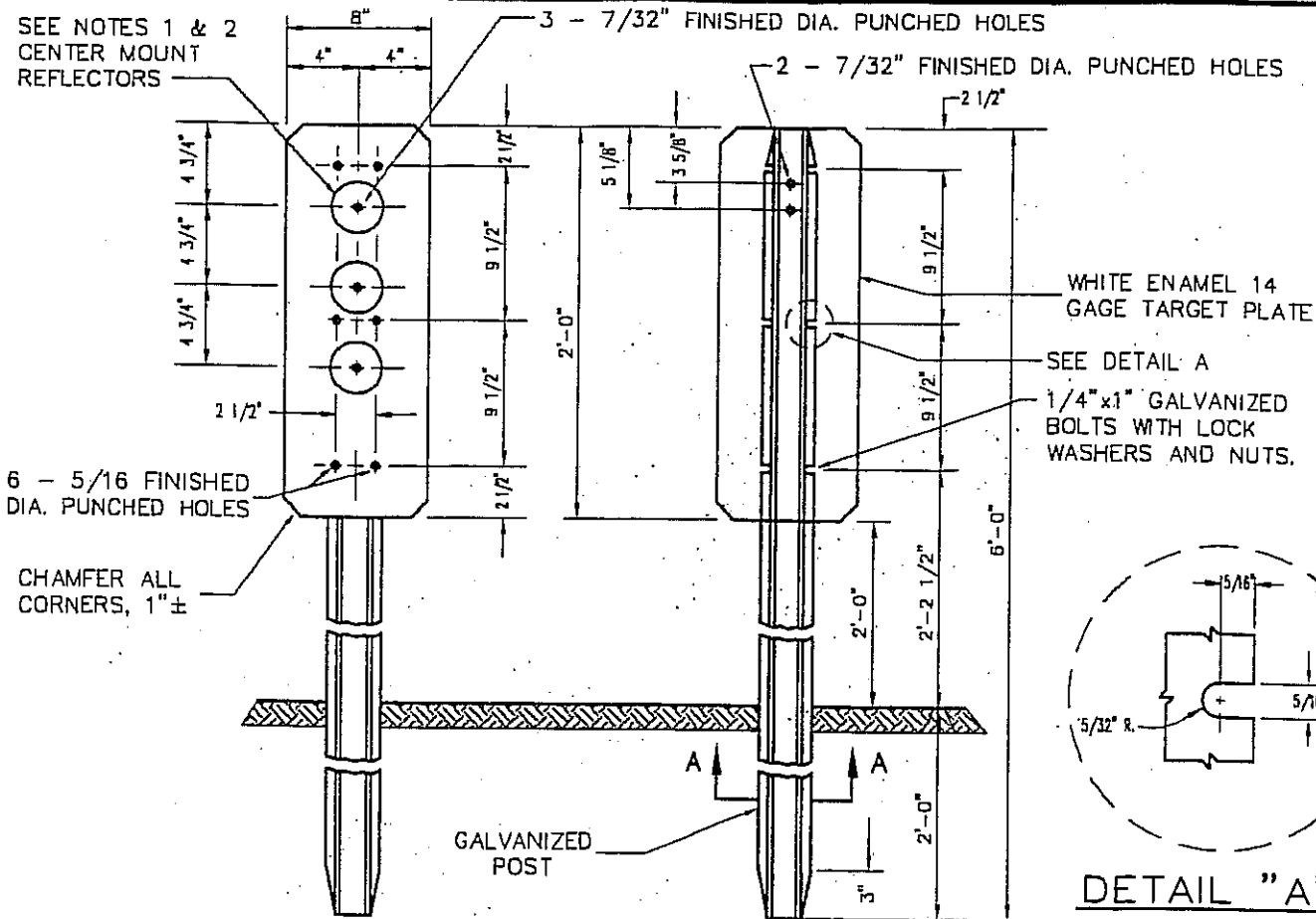
METAL PLATE
 GUARDRAIL

REVISION

BY DATE

STANDARD DRAWING NO. 511

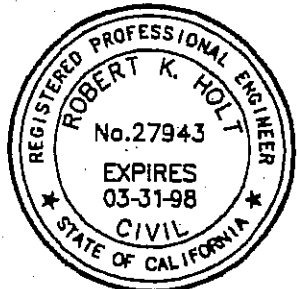
SEE NOTES 1 & 2
CENTER MOUNT
REFLECTORS



SECTION A-A

REAR MOUNT BRACKET

- NOTES:
1. CLEARANCE MARKER (W-60R) THREE 3-1/4" WHITE CENTERMOUNT REFLECTORS.
 2. GUIDE MARKERS ONE 3-1/4" WHITE CENTERMOUNT REFLECTOR.
 3. REAR MOUNT REFLECTOR BRACKET SHALL BE USED ON CURVES. BRACKET SHALL BE ATTACHED WITH 3/16" BLIND ALUMINUM RIVETS AND USED TO MOUNT A 3" WHITE REFLECTOR.
 4. ALL MATERIALS SHALL CONFORM TO STATE OF CALIFORNIA STANDARD SPECIFICATIONS.
 5. HOLE DIAMETERS APPLY TO DIMENSION AFTER ITEM IS PAINTED.



APPROVED: _____ DATE _____

APPROVED: TOWN ENGINEER
Robert K. Holt R.C.E. 27943

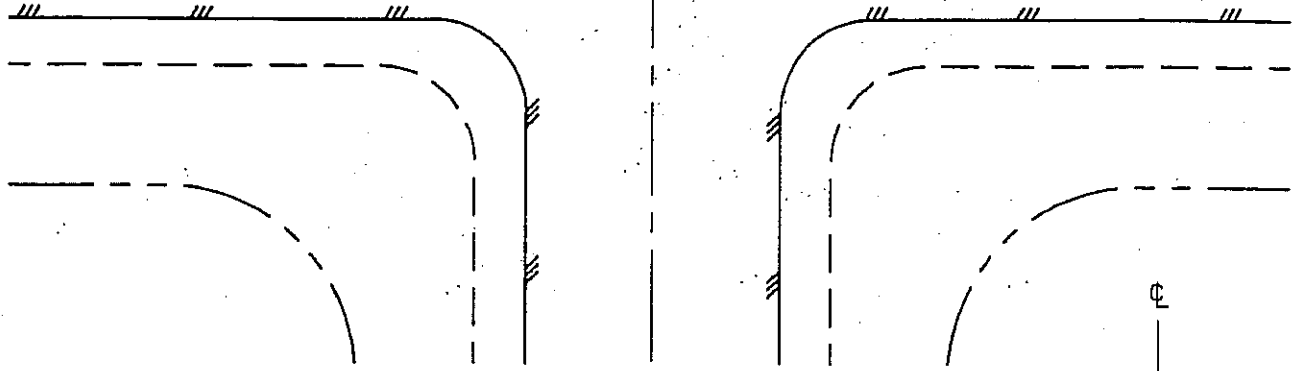
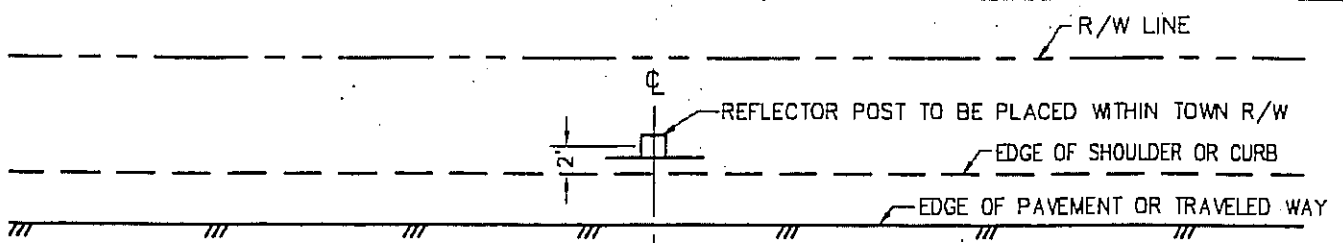
REVISION	BY	DATE



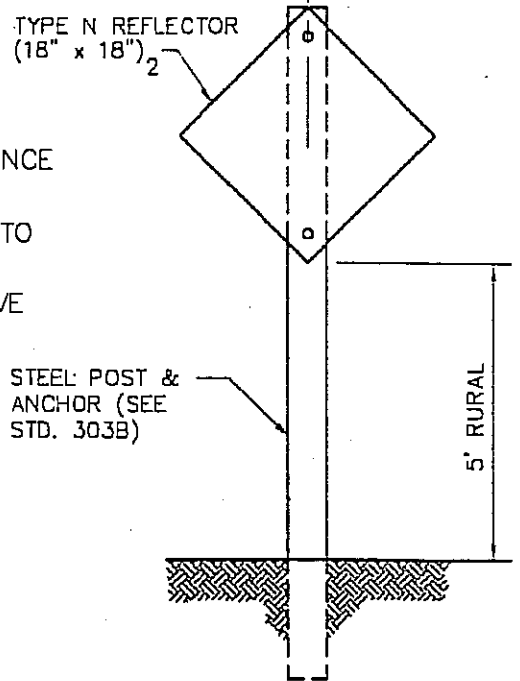
Town of
Yucca Valley

TRAFFIC SAFETY
MARKERS

STANDARD DRAWING NO. 520



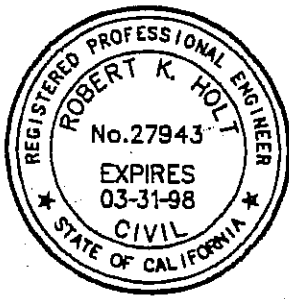
PLAN



ELEVATION

NOTES:

1. POSTS SHALL BE 2" x 2" SQUARE STEEL IN ACCORDANCE WITH STANDARD NO. 523.
2. MATERIALS AND TYPE N REFLECTOR SHALL CONFORM TO STATE OF CALIFORNIA STANDARD SPECIFICATIONS. TYPE N-4 SHALL BE YELLOW FHWA TYPE III REFLECTIVE SHEETING. TYPE N-5 SHALL BE RED FHWA TYPE III REFLECTIVE SHEETING.



APPROVED: _____ DATE _____

APPROVED: TOWN ENGINEER
Robert K. Holt
 R.C.E. 27943

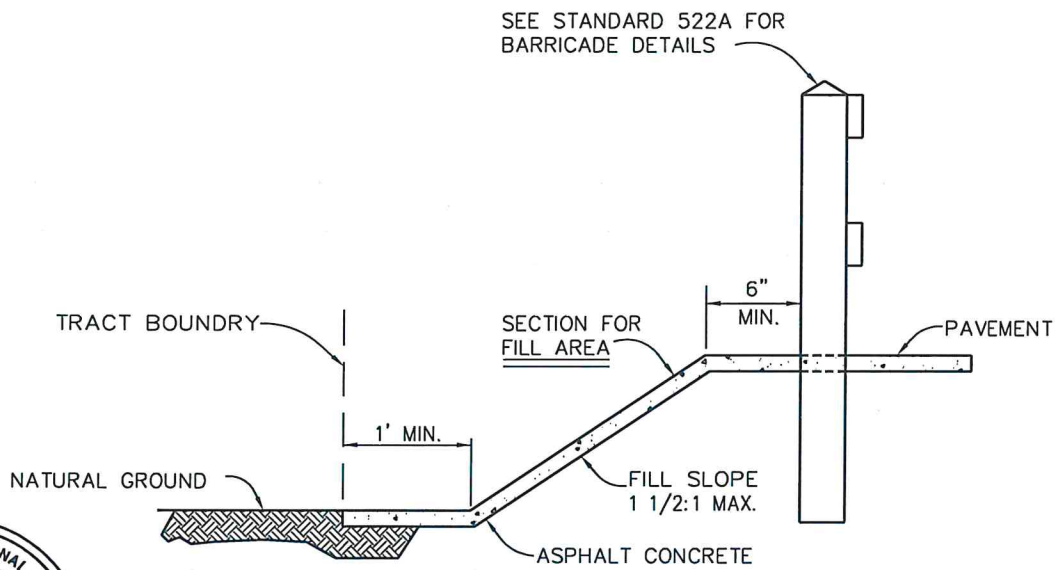
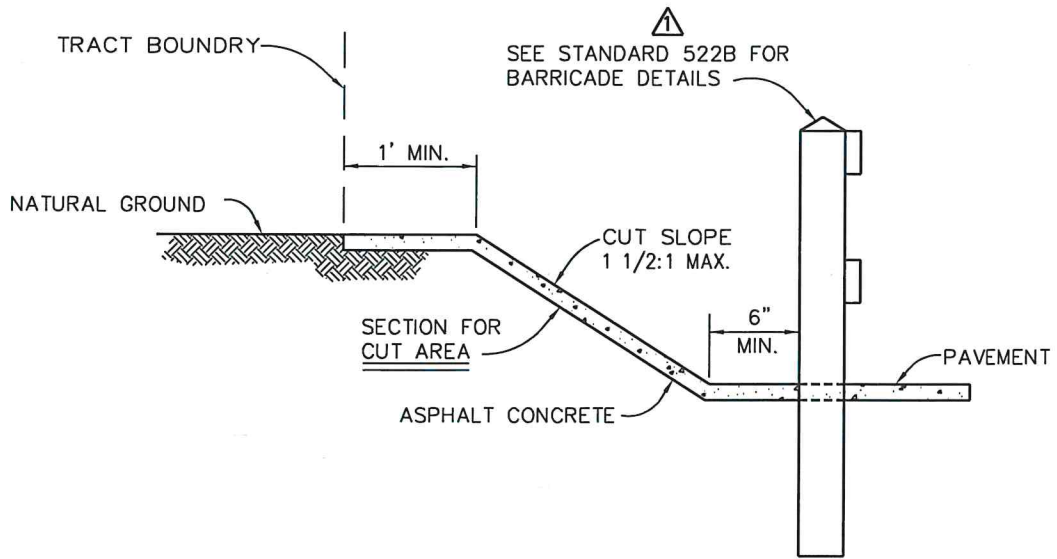


Town of
Yucca Valley

POST WITH
 REFLECTOR

STANDARD DRAWING NO. 521

REVISION	BY	DATE



NOTES:

1. ASPHALT CONCRETE SHALL BE MINIMUM 3 INCH THICKNESS ON CUT OR FILL AREA.

APPROVED: DIRECTOR OF PUBLIC WORKS

Alex Chishta DATE *4/21/25*

APPROVED: TOWN ENGINEER

Noel Owsley R.C.E. 39827

A REVISED NOTE -N- 8/30/24

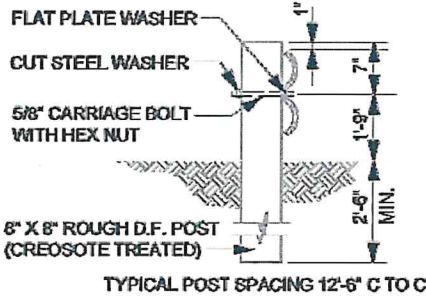
REVISION BY DATE



Town of Yucca Valley

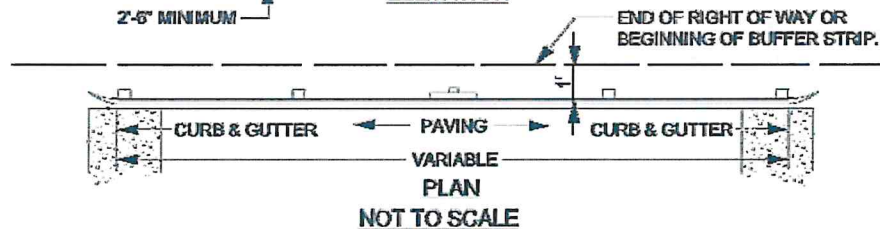
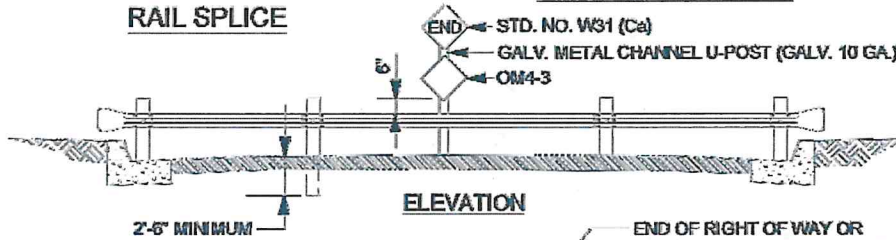
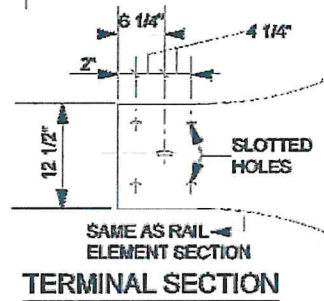
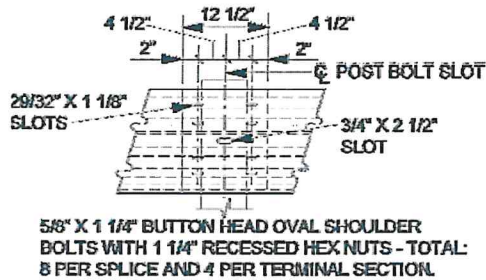
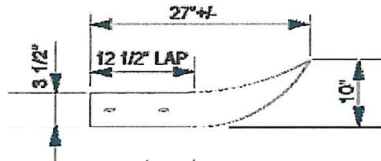
END OF STREET
TEMPORARY PAVEMENT

STANDARD DRAWING NO. 522



NOTES:

1. GUARD RAIL ELEMENT MAY BE EITHER STEEL OR ALUMINUM.
2. STEEL RAIL SHALL BE GALVANIZED PER ASTM DESIGNATION A-123.
3. STEEL RAIL THICKNESS SHALL BE MIN. 12 GAUGE.
4. ALUMINUM RAIL THICKNESS SHALL BE MIN. 0.105 IN.



APPROVED: DIRECTOR OF PUBLIC WORKS
Alex C. Light DATE *4/21/25*

APPROVED: TOWN ENGINEER
Noel Owsley R.C.E. 39827

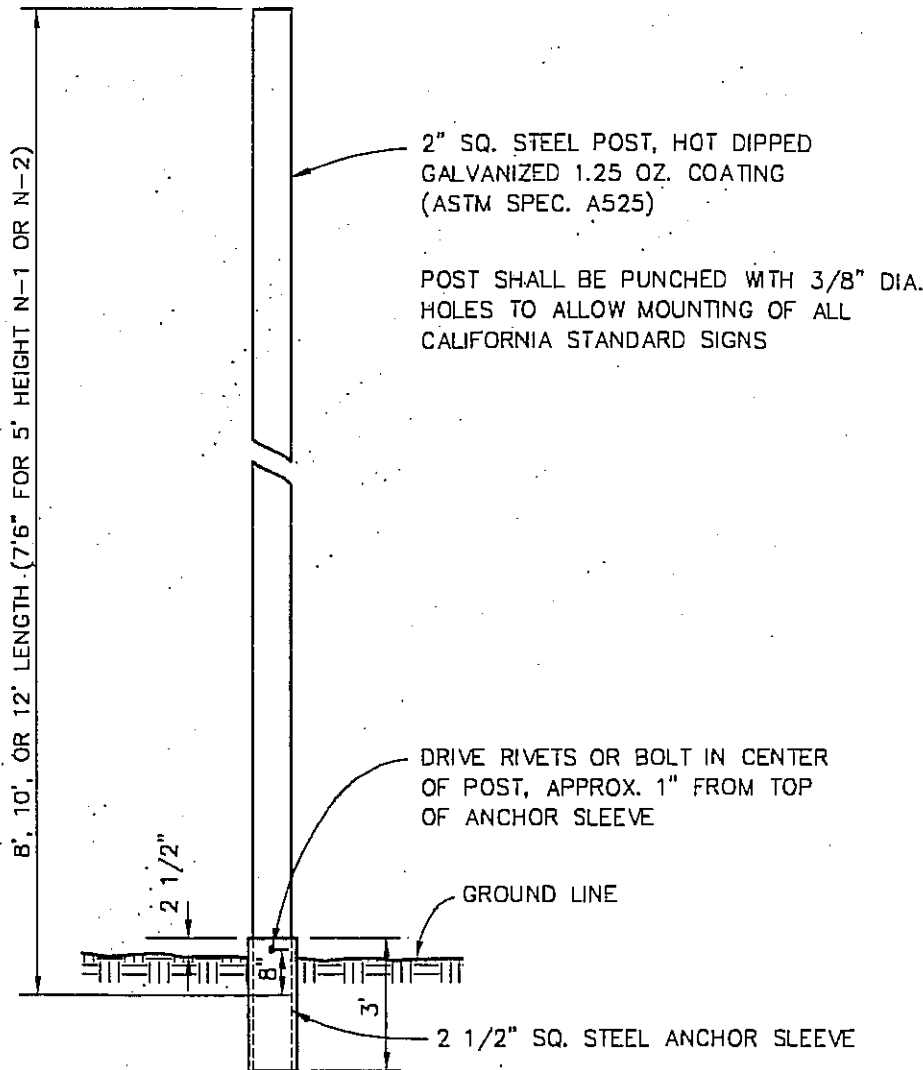
REVISION	BY	DATE
1		8/30/24



Town of
Yucca Valley

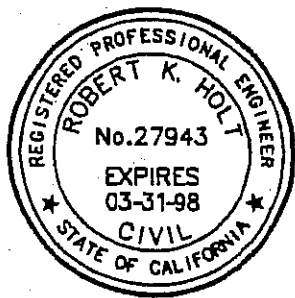
BARRICADE
 RURAL AREA

STANDARD DRAWING NO. 522A



NOTES:

1. SEE STANDARD DRAWING NO. 521 FOR MARKER LOCATIONS.
2. POST SHALL BE 2" SQ. STEEL AS SHOWN AND STATED.
3. ANCHOR SLEEVE SHALL BE 2 1/2" SQ. STEEL HOT DIPPED GALVANIZED AFTER FABRICATION (ASTM SPEC. 1-123).



APPROVED:

DATE

APPROVED: TOWN ENGINEER

Robert K. Holt

R.C.E. 27943



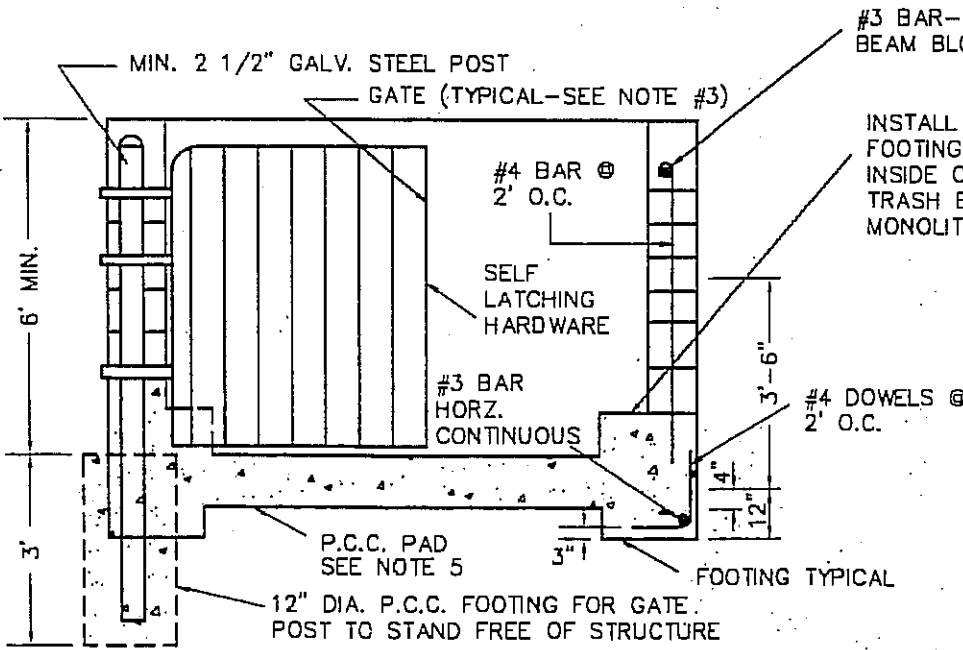
Town of
Yucca Valley

STREET MARKER
POST INSTALLATION

REVISION

BY DATE

STANDARD DRAWING NO. 523



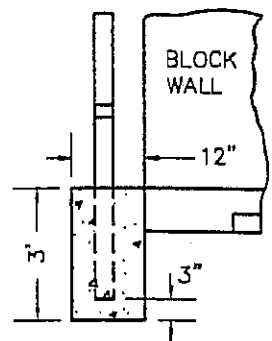
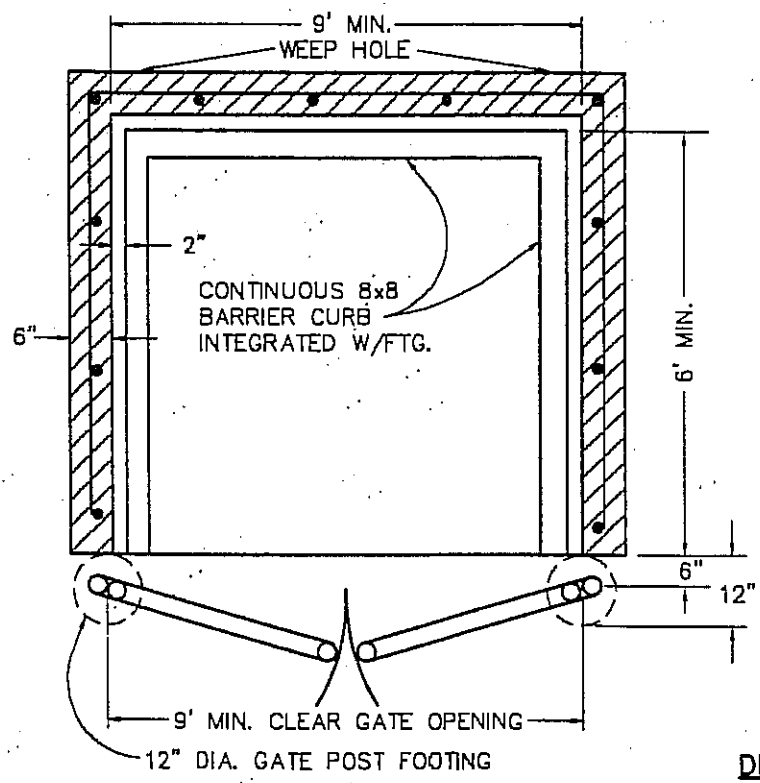
#3 BAR-TOP AND BOTTOM; USE BOND BEAM BLOCKS.

INSTALL (8x8 BARRIER CURB) WITH FOOTING COMPLETELY AROUND INSIDE OF ENCLOSURE TO ACT AS TRASH BIN BUMPER GUARD. POUR MONOLITHICALLY WITH FOOTING.

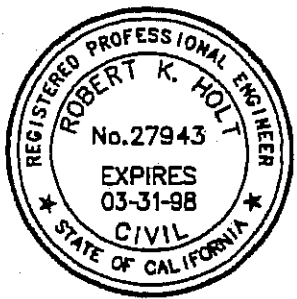
NOTES:

1. TRASH AREA TO BE LOCATED SO AS TO BE ACCESSIBLE TO BOTH DEPOSIT AND PICKUP. LOCATION TO BE APPROVED BY PLANNING DIVISION.
2. SIX INCH MASONRY BLOCK CONSTRUCTION WITH STANDARD STEEL REINFORCING RODS. FILL ALL CELLS WITH GROUT AND SMOOTH THE TOP WITH STEEL TROWEL FINISH.
3. METAL GATES WITH HEAVY DUTY HARDWARE (TYPICAL). METAL PANEL GATES SHALL TOTALLY OBSCURE THE TRASH BINS AND MUST BE ARCHITECTURALLY COMPATIBLE WITH THE PROJECT.
4. GATE POSTS SHALL BE MINIMUM 2-1/2" DIA. GALVANIZED STEEL SET IN CONCRETE TO STAND FREE OF THE ENCLOSURE STRUCTURE.
5. TOP OF PAD TO BE AT GROUND OR EDGE OF PAVING LEVEL.
6. FILL ALL CELLS WITH P.C.C. PEA GRAVEL GROUT.

FRONT ELEVATION VIEW



DETAIL - GATE POST FOOTING



PLAN VIEW

APPROVED:	DATE
APPROVED: TOWN ENGINEER <i>Robert K. Holt</i>	R.C.E. 27943
REVISION	BY DATE



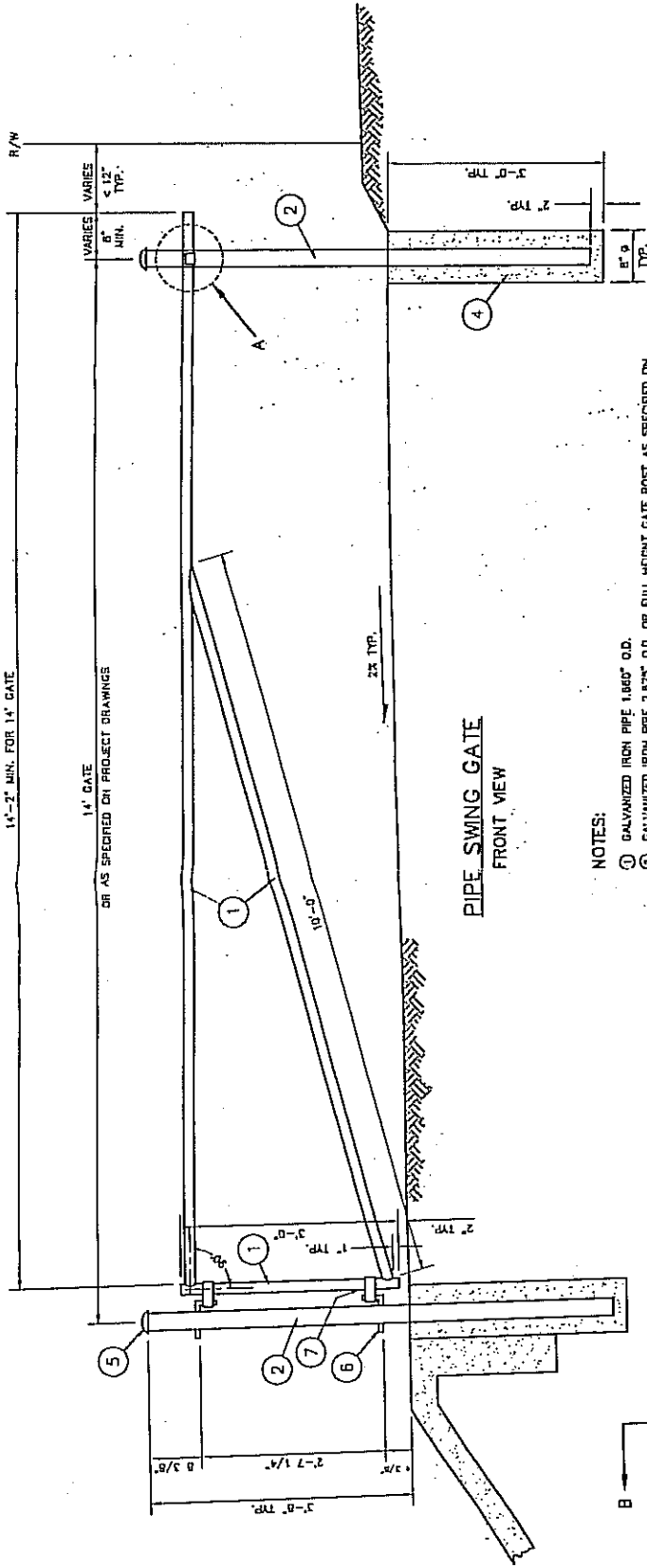
Town of
Yucca Valley

STANDARD TRASH ENCLOSURE

STANDARD DRAWING NO. 530

14'-2" MIN. FOR 14' GATE

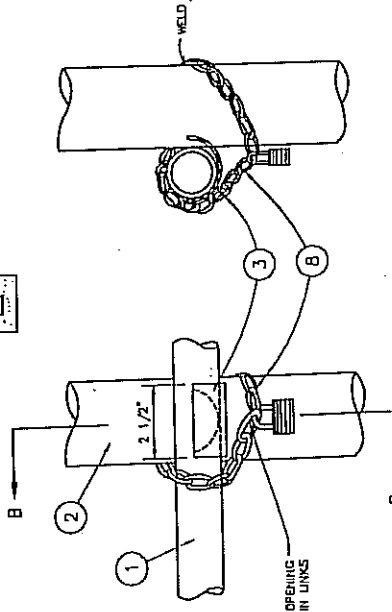
14' GATE
OR AS SPECIFIED ON PROJECT DRAWINGS



PIPE SWING GATE
FRONT VIEW

NOTES:

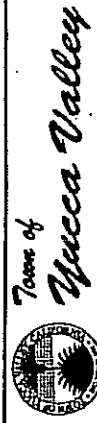
- 1 GALVANIZED IRON PIPE 1.660" O.D.
- 2 GALVANIZED IRON PIPE 2.875" O.D. OR FULL HEIGHT GATE POST AS SPECIFIED ON PROJECT DRAWINGS.
- 3 GATE REST, ONE-HALF OF GALVANIZED IRON PIPE 2.375" O.D.; GRIND TO FIT VERTICAL POST, FIELD WELD.
- 4 CLASS "B" CONCRETE.
- 5 POSTS ANCHORED IN CONCRETE SHALL HAVE CAPS.
- 6 HINGE BOLTS 5/8", WELD THREADED END AFTER INSTALLATION.
- 7 STANDARD HINGE CLAMPS, WELD THREADED END OF BOLTS AFTER INSTALLATION.
- 8 3/8" GALVANIZED CHAIN, FELD WELD ONE LINK TO VERTICAL POST, PROVIDE OPENING IN LINKS ONE INCH AS MINIMUM. CHAIN SHALL BE OF SUFFICIENT LENGTH TO ENCLOSE HORIZONTAL PIPE.
- 9 ENDS OF PIPES TO BE JOINED SHALL BE GRINDING TO FIT NEATLY BEFORE WELDING.
- 10 MATERIALS AND CONSTRUCTION METHODS SHALL CONFORM TO THE APPLICABLE PORTION OF SECTIONS 200-6, 210-3 AND 304-3 OF "STANDARD SPECIFICATIONS FOR PUBLIC WORKS CONSTRUCTION", LATEST EDITION.



APPROVED:

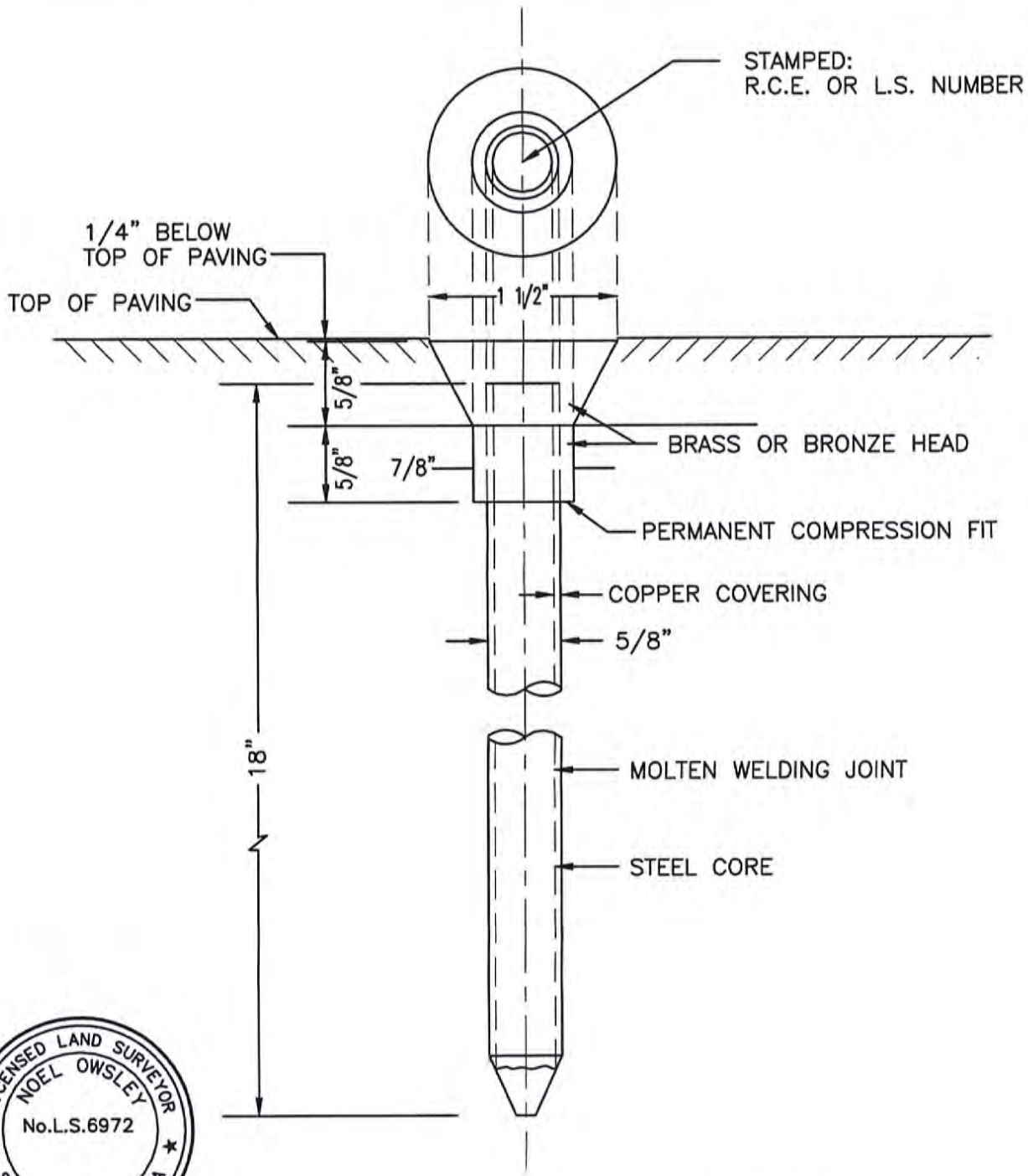


DATE	
TOWN ENGINEER	
R.C.E.	27943
REVISION	
BY	
DATE	



PIPE SWING GATE

STANDARD DRAWING NO. 550



APPROVED: Alex Bishka DATE 6/29/16

APPROVED: TOWN SURVEYOR
Noel Owsley L.S. 6972



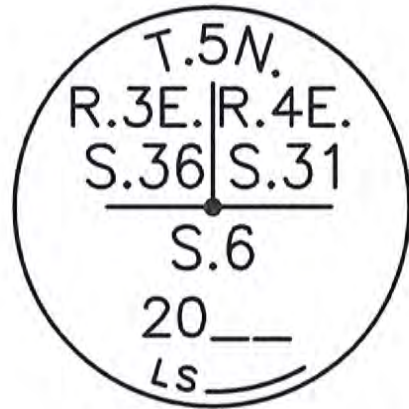
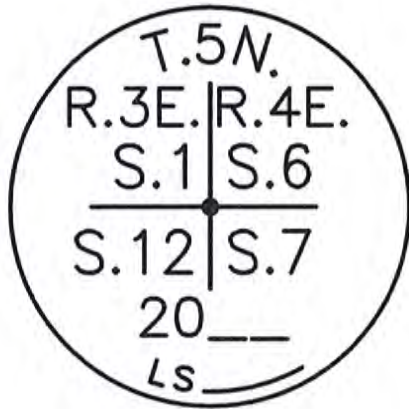
Town of
Yucca Valley

COPPERWELD MONUMENT

STANDARD DRAWING NO. M1

REVISION

BY DATE



APPROVED: Alex Oishi DATE 6/29/16

APPROVED: TOWN SURVEYOR
Noel Owsley L.S. 6972



Town of
Yucca Valley

SECTIONAL MONUMENTS

STANDARD DRAWING NO. M2

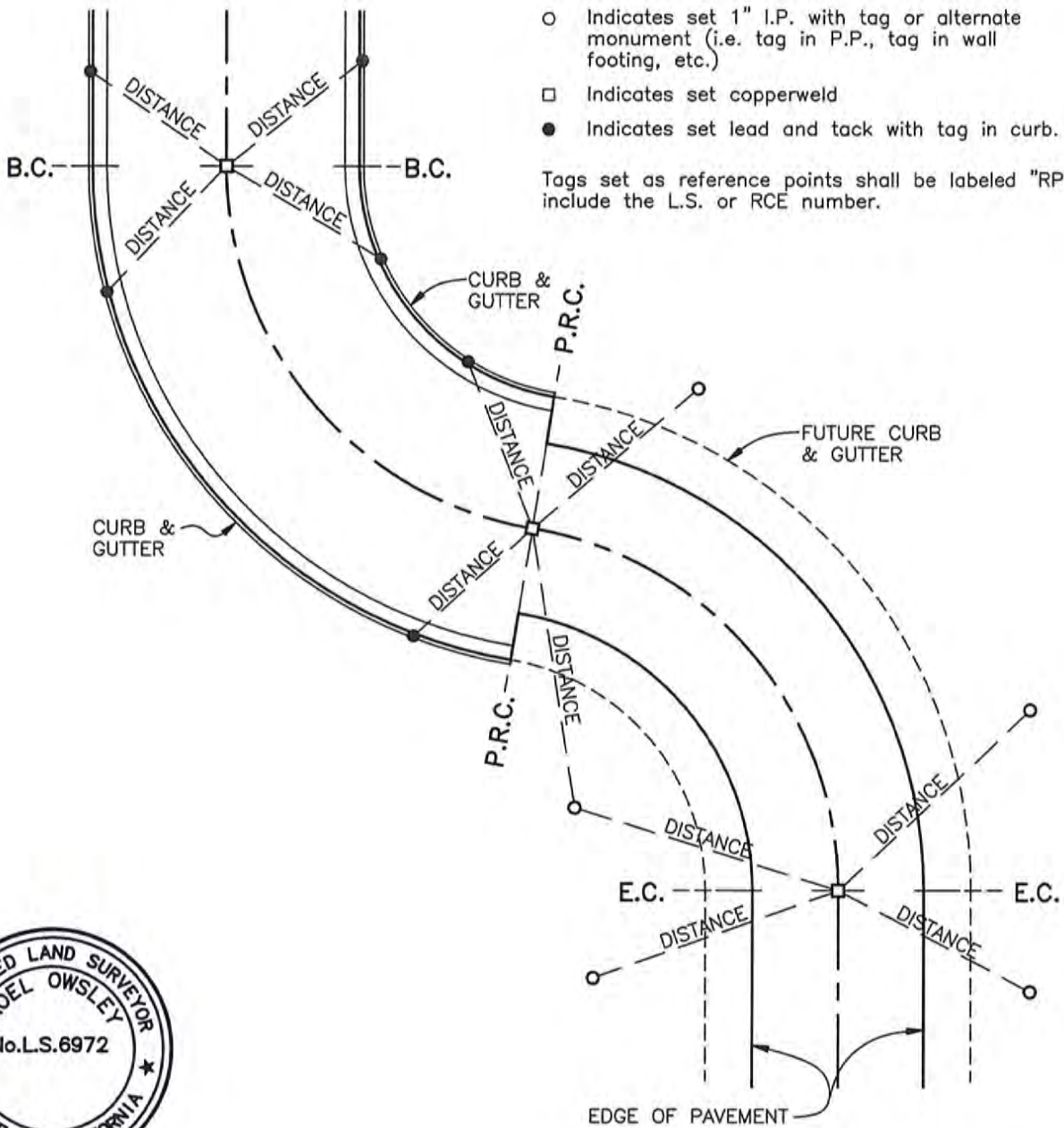
REVISION	BY	DATE

NOTES:

On curves where the P.O. falls outside of the paved section or curbed section, monuments may be set and tied out on semi-tangents in lieu of B.C., E.C. a Mid-point being tied out. These monuments will be set within traveled way.

- Indicates set 1" I.P. with tag or alternate monument (i.e. tag in P.P., tag in wall footing, etc.)
- Indicates set copperweld
- Indicates set lead and tack with tag in curb.

Tags set as reference points shall be labeled "RP" and include the L.S. or RCE number.



APPROVED:

Alex Oishi

DATE *6/26/16*

APPROVED: TOWN SURVEYOR

Noel Owsley

L.S. 6972



Town of
Yucca Valley

CENTERLINE TIES

STANDARD DRAWING NO. M3

REVISION

BY DATE